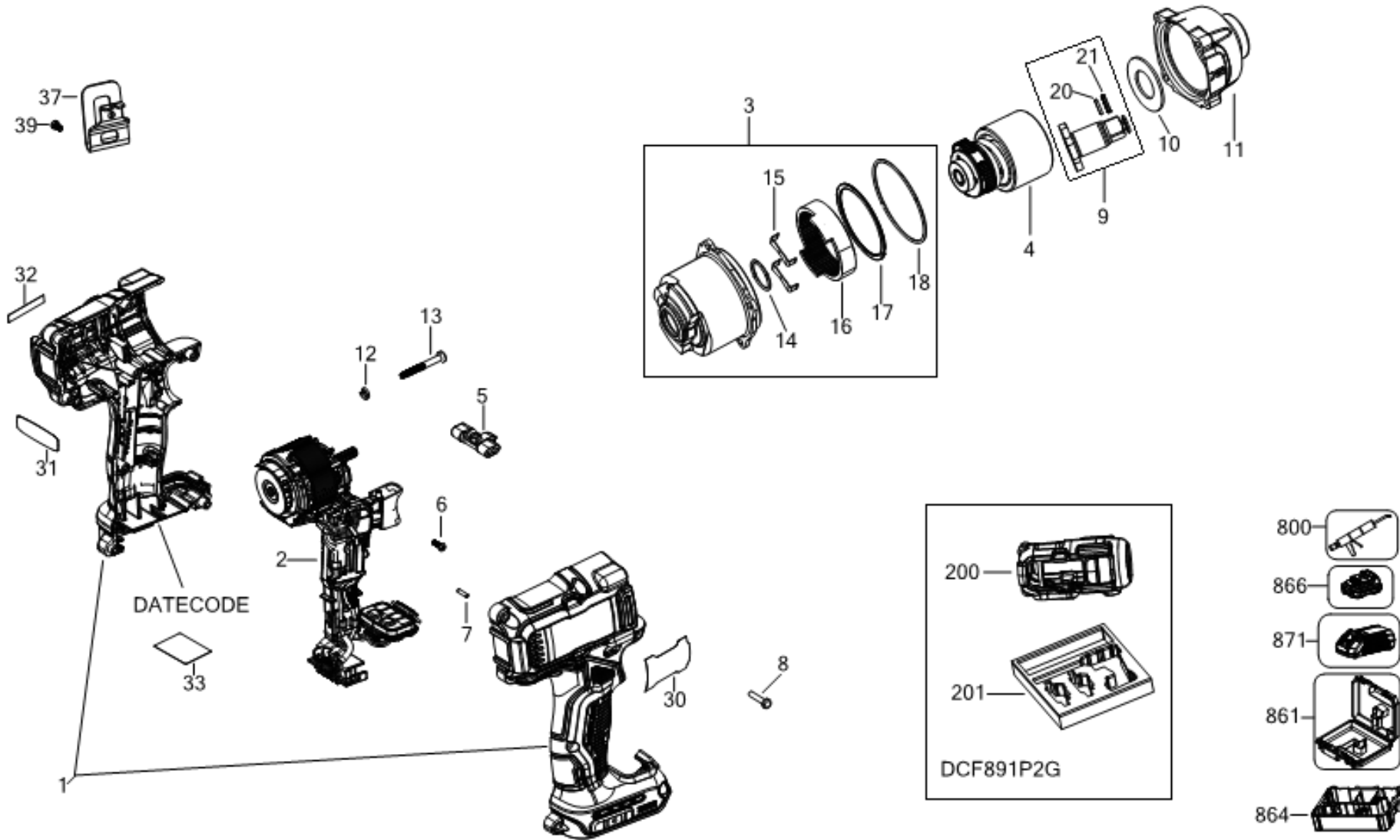


DeWALT

DCF891

Typ
1



©

Parts List DCF891NT IMPACT WRENCH 1

| Item | Part Number | Qty | Part Description | General Description | Other Info | Repair Inst | Markets |
|------|-------------|-----|-------------------|----------------------|------------|-------------|---------|
| 1 | N896695 | 1 | CLAMSHELL SET | | | No | XJ |
| 2 | NA016963 | 1 | MOTOR & SWITCH SA | | | No | XJ |
| 3 | NA020584 | 1 | GEARCASE SA | | | No | XJ |
| 4 | NA016971 | 1 | IMPACTOR | | | No | XJ |
| 5 | N473670 | 1 | ACTUATOR FWD/REV | | | No | XJ |
| 6 | N719210 | 1 | SCREW | | | No | XJ |
| 7 | N071836 | 1 | ROLL PIN | | | No | XJ |
| 8 | 90611830 | 9 | SCREW | | | No | XJ |
| 9 | NA142744 | 1 | ANVIL ASSEMBLY | | hog ring | No | XJ |
| 10 | N699996 | 1 | WASHER THRUST | | | No | XJ |
| 11 | NA016760 | 1 | NOSE SA | | | No | XJ |
| 12 | N529458 | 4 | WASHER LOCK | | | No | XJ |
| 13 | N516846 | 4 | SCREW | | | No | XJ |
| 14 | N438625 | 1 | O RING | | | No | XJ |
| 15 | N484792 | 2 | BEARING PLATE | | | No | XJ |
| 16 | N465624 | 1 | GEAR | | | No | XJ |
| 17 | N482343 | 1 | RING | | | No | XJ |
| 18 | N458130 | 1 | O RING | | GEARCASE | No | XJ |
| 20 | 050056-00 | 1 | O RING | | | No | XJ |
| 21 | 086947-00 | 1 | CIRCLIP | | | No | XJ |
| 30 | NA006247 | 1 | RATING PLATE | | EURO | No | XJ |
| 31 | NA006997 | 1 | LABEL | | BRUSHLES | No | XJ |
| 32 | NA007356 | 1 | BRAND LABEL | | \$ 18V | No | XJ |
| 33 | NA006249 | 1 | LABEL | | FOOT | No | XJ |
| 37 | N086039 | 1 | HOOK | | | No | XJ |
| 39 | N042665 | 1 | SCREW | | | No | XJ |
| 800 | N017298 | 1 | GREASE | G-2008 Molykote | | No | XJ |
| 801 | N475660 | 1 | GREASE | GREASE, NYE NYOGEL 7 | TERMINAL | No | XJ |
| 861 | N279261 | 1 | KITBOX | DWST1-17807 | S | No | XJ |
| 864 | N521549 | 1 | INSERT | | | No | XJ |